

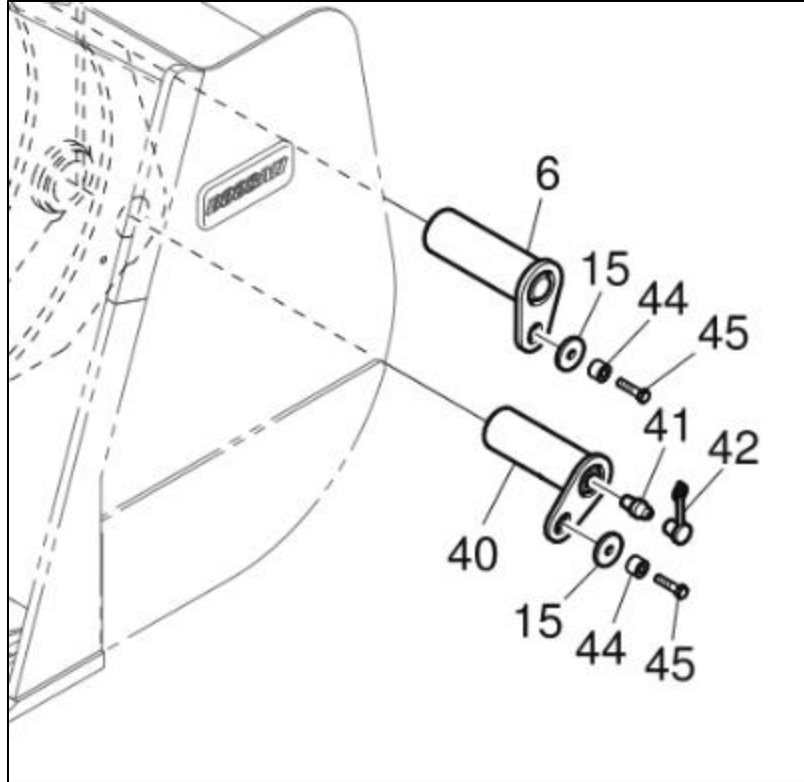
WLD Bucket Compatibility

The chart below shows pin on bucket compatibility through the recent series changes of wheel loaders.

	DL-3	DL-5	DL-7
Z-Bar (Standard) (High Lift)	200-3	200-5	↔ 200-7
	220-3	220-5	↔ 220-7
	250-3	250-5	↔ 250-7
		280-5	↔ 280-7
	300-3	300-5	↗ 320-7
	350-3*	350-5*	→ 380-7
	420-3	420-5	→ 420-7
	450-3	450-5	→ 480-7
	550-3	550-5	→ 550-7
		580-5	→ 580-7
Tool Carrier	200TC-3	200TC-5	TBD
	250TC-3	250TC-5	TBD

- Cells of the same color: Buckets can be compatible with each other. *See below for DL-7 interchangeability.
- Cells of different color: Buckets are not compatible with other models or prior series.
- Tool Carrier buckets are not compatible with Z-Bar buckets.
- Buckets with (*) are compatible with each other but there may be a surplus or shortage of bucket-pin length after mounting.
- Arrows before DL-7 model indicates compatibility between -5 and -7 models.
 - ↔ : Compatible with -5 and -7 model
 - : -5 model bucket is compatible to -7 model. (Pin boss bolt and spacer need to be replaced at the same time for backwards compatibility.)
 - If you want to install DL-5 bucket on DL-7 machine, you need to use the pin boss bolt from the DL-5 machine.
 - If you want to install DL-7 bucket to DL-5 machine, you need to use the pin boss bolt, spacer, and pin from DL-7 machine.

WLD Bucket Compatibility



iii. Pin boss bolt, spacer, stopper – reference 45, 44, 15.